

Other models in this range:  
 MAR 78 - MAR 128 - MAR 208  
 MAR 308  
 Compact versions:  
 MAR 56 - MAR 76 - MAR 106 - MAR 126  
 MAR 206 - MAR 306

## Scale Ice Maker Units up to 785 Kg



ABS Ice Chute Cover: sold separately.



Gear box protection (hall effect)



Easy to remove water sump



Pulleys & belt system allows to modify ice thickness



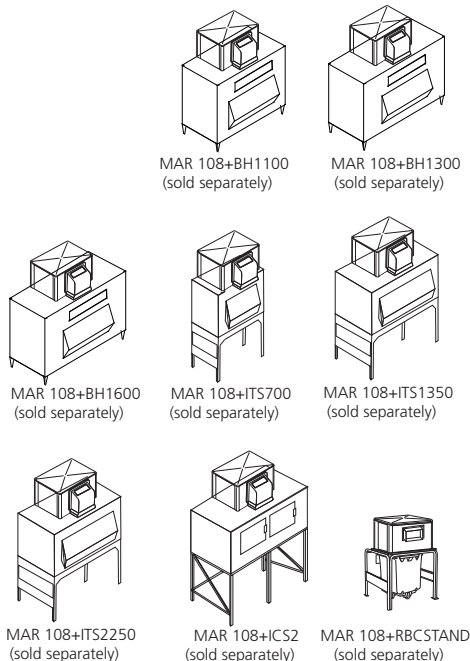
### Features

- Daily production up to 785 Kg in 24 hr (@ 1 mm. ice thickness)
- Scale ice machine, in "split system" version; evaporator only;
- Storage bin not supplied, to be purchased separately
- To be connected to condensing unit or central cooling system (low temperature)
- AISI304 Stainless steel evaporator and ice scraper blade
- Redesigned evaporator compartment end-walls
- Foodgrade ABS plastic water sump tray, easy remove for cleaning and sanitising
- Electromechanical control panel
- Electrical protections, rotation speed & reverse phase controls
- Low- water sensor protection
- Supplied w/expansion valve, solenoid valve, pressure regulating valve (KVP), heat exchanger
- Drive motor / gear reducer with V-Belt drive
- Storage bin thermostatic ice level sensor
- Stainless steel panels in scotch-brite finish, with rounded corners, easy to remove for maintenance

### Accessories & Optional Features (to be specified upon order):

- Ice spout cover (COVERMARS0000)
- Ice chute extension 90cm (KICMAREXT0001)
- Double ice chute 65cm (KICMARDOUBL02)
- Infrared ice sensor (replaces the thermostatic ice level control) ICE SENSOR 0003
- UV lamp water sanitising system for bacterial control (KITUVLAMPMAR0)
- ON/OFF manual switch, with daily timer (KITTIMER0001)
- ON/OFF manual switch, with weekly programmable timer (KITTIMERSET01)

### MAR 108 Technologies



MAR 108+BH1100 (sold separately)

MAR 108+BH1300 (sold separately)

MAR 108+BH1600 (sold separately)

MAR 108+ITS700 (sold separately)

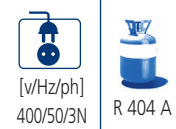
MAR 108+ITS1350 (sold separately)

MAR 108+ITS2250 (sold separately)

MAR 108+ICS2 (sold separately)

MAR 108+RBCSTAND (sold separately)

	THICK ICE		THIN ICE		NOMINAL ONLY		 [WxDxH mm] 906x813x520
	[kg]	[lbs]	[kg]	[lbs]	[kg]	[lbs]	
MAR 108	700	1540	785	1725	1015	2233	[WxDxH inches] 35 11/16 x 32 x 20 8/16



Ice scales are the coldest form of ice. Formed at -6° to -12°Celsius, they are very dry, containing less than 2% residual water. Scales look like fragments of glass, have an irregular shape and a thickness that can be adjusted at 1 or 2 mm.

Humidity 2%

This product qualifies for the following listings:



**2** Years Warranty

Subject to certain limitations and exclusions

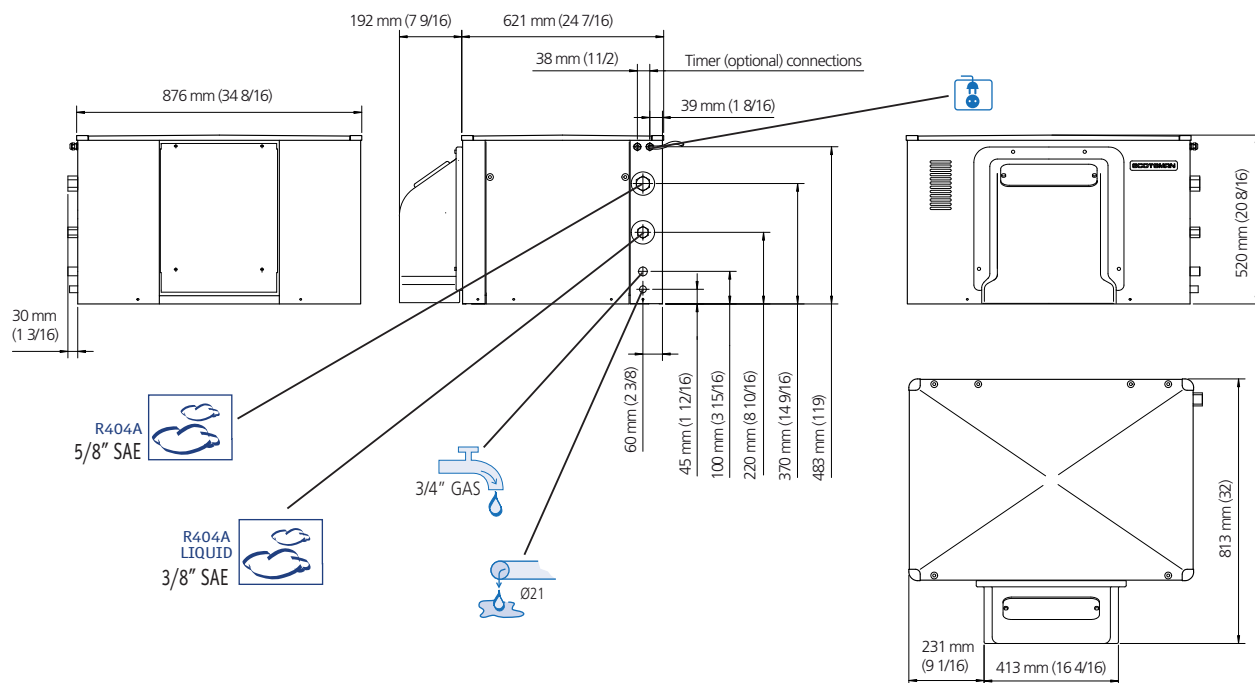
Certified ISO 9001:2000

[www.scotsman-ice.it](http://www.scotsman-ice.it)  
[www.scotsman-ice.com](http://www.scotsman-ice.com)

Models and specifications are subject to change without notice.

Other models in this range:  
 MAR 78 - MAR 128 - MAR 208  
 MAR 308  
 Compact versions:  
 MAR 56 - MAR 76 - MAR 106 - MAR 126  
 MAR 206 - MAR 306

## Scale Ice Maker Units up to 785 Kg



Minimum		Maximum
10°C (50°F)		40°C (104°F)
5°C (41°F)		35°C (95°F)
-10%		+10%
1 BAR 14 psi		5 BAR 70 psi

	[V/Hz/ph]	R22/R404A/R507 (T ev: -24°C or -11°F; T cond: +40°C or 104°F)		[W]	[A]	[kg]	[lbs]	[kg]	[lbs]
MAR 108	400/50/3N	5600	19096	370	1.2	115	253	131	290

### CONTACT POINTS:

**Europe**  
 Scotsman Europe-Frimont S.p.A.  
 Via Puccini, 22  
 20010 Pogliano (Milano) Italy  
 Ph: (+39) 02-93960208  
 Fax: (+39) 02-93960201  
 scotsman.europe@frimont.it

**Asia and Pacific**  
 Scotsman Ice Systems-Frimont S.p.A. (R.O.)  
 627A Aljunied Road-#04-04 Biztech Centre  
 Singapore 389842  
 Ph: (+65) 6738 5393  
 Fax: (+65) 6738 1959  
 scotsice@singnet.com.sg

**China**  
 Scotsman Ice Systems (Shanghai)  
 Room 2503, Building 2  
 20 Xuhong Middle Road, Xuhui District  
 Shanghai China 200235  
 Main line: (+86) 21 61313200  
 Fax: (+86) 21 61313330  
 scotsman.shanghai@scotsman-china.com

**Middle East & N. Africa**  
 Scotsman Ice Systems Dubai Office  
 P.O. Box 21648  
 Sharjah - U.A.E.  
 Ph: (+97) 16-5773-164  
 Fax: (+97) 16-5773-165  
 scotsman@eim.ae

**South Africa**  
 Scotsman Ice Systems SA (PTY) Ltd.  
 10, Rhodes Street - Kensington B  
 P.O. Box 44 - Riverclub 2149  
 Ph: (+27) 11-7898400  
 Fax: (+27) 11-7898411  
 scotsman@telkomsa.net

**Spain**  
 Scotsman España, S.L.U. c/ Galapagar, 12  
 Poligono Industrial Ventorro del Cano  
 28925 Alcorcon (Madrid)  
 Ph: +34-91-1109796  
 Fax: +34-91-6337423  
 E-mail: scotsman@scotsman-espana.es  
 www.scotsman-espana.es